



EV9799-32

SS-IMF Prevención de Sarro

Prevención superior de sarro y corrosión



BENEFICIOS

- Compuesto de Hydroblend™, el cual inhibe los depósitos de sarro y previene corrosión en equipos que utilizan el agua
- Diseña patentada (patent no. 5,580,448), que dispensa una cantidad controlada de Hydroblend™, el que es mas eficiente que otros tratamientos de fosfato
- Cabe en las carcassas IMF
- Cartucho transparente que le da un monitoreo visual de cuanto le queda de Hydroblend™
- El SS-IMF cabe en las carcassas viejas IMF de 8"
- Espaciador (EV3114-69) disponible para adaptarlo a la carcasa de 10"

CONSEJOS PARA INSTALACION

Carcasa IMF no incluido
Instalar verticalmente con el anillo "O" colocado arriba

CONSEJOS PARA OPERACION

Limpiar el equipo de sarro antes de instalarlo es recomendado, pero no requerido

Inspeccionar el SS-IMF cada 6 meses

Reemplazar el SS-IMF antes de que se desaparezca totalmente el Hydroblend™

APLICACIONES

Para aplicaciones donde se requiere reducir el sarro

Reducción de sarro para aplicaciones de hielo

SS-IMF Scale Inhibition

SPECIFICATIONS

Dimensions:

8-5/16" H x 1-5/16" Diameter

Service Flow Rate:

0.1 - 6 gpm

Maximum Temperature:

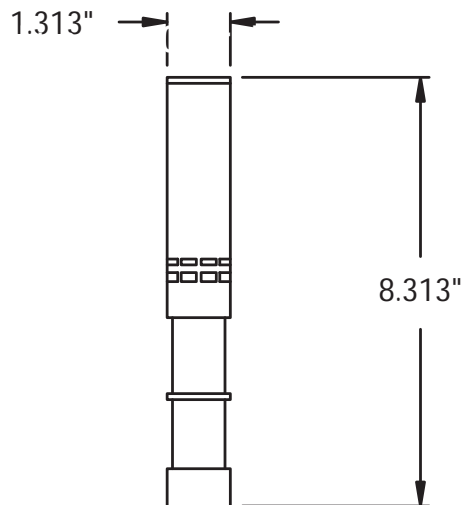
150°F*

*If inlet feed water temperature is above 125°F a hot water housing must be used.

Note: Filter Wraps are not to be used in hot water feed applications.

**The ScaleStick® trademark is used pursuant to an agreement between PWC Enterprises and Everpure, Inc.

The contaminants or other substances removed or reduced by this drinking water system are not necessarily in your water. Do not use with water that is microbiologically unsafe or of unknown quality without adequate disinfection before or after the system. Systems certified for cyst reduction may be used with disinfected water that may contain filterable cysts.



WARRANTY

Everpure water treatment systems (excluding replaceable elements) are covered by a limited warranty against defects in material and workmanship for a period of five years after date of purchase. Everpure replaceable elements (filter cartridges and water treatment cartridges) are covered by a limited warranty against defects in material and workmanship for a period of one year after date of purchase. See printed warranty for details. Everpure will provide a copy of the warranty upon request.



This SS-IMF is Tested and Certified by NSF International against NSF/ANSI Standard 42 for material requirements only.
COMPONENT



EVERPURE, INC.
2375 Sanders Road
Northbrook, IL 60062
Toll Free (800) 323-7873
Tel (847) 205-6000
Fax (800) 942-0081
<http://www.everpure.com>

In Europe:
N.V. EVERPURE (EUROPE) S.A.
Geldenaaksebaan 478
B-3001 Heverlee
Belgium
Tel 32-16-401191
FAX 32-16-402691

In Japan:
EVERPURE JAPAN, INC.
1-8-19, Tsumada Kita,
1-Chome, Atsugi City
Kanagawa Ken 243-0812
Japan
Tel 81-462-23-6563
FAX 81-462-21-6775

Everpure, Inc.
2375 Sanders Road
Northbrook, IL 60062
Phone: 800-323-7873 Fax: 800-942-0081