

PROCON® Products

Series 1, 2 y 3 Acoplamiento con perno o con abrazadera

- Bombas de desplazamiento positivo de paletas rotatorias
- Rango de flujo de 15 a 140 galones por hora
- Autocebantes
- Sin mantenimiento
- Vibración y pulsación bajas
- Acero inoxidable, latón o latón de poco plomo (0,20% máximo de plomo)
- Configuración de válvula de alivio patentada
- Modelos compatibles con motor de 48YZ tipo carbonatador y motor con armazón de 56C

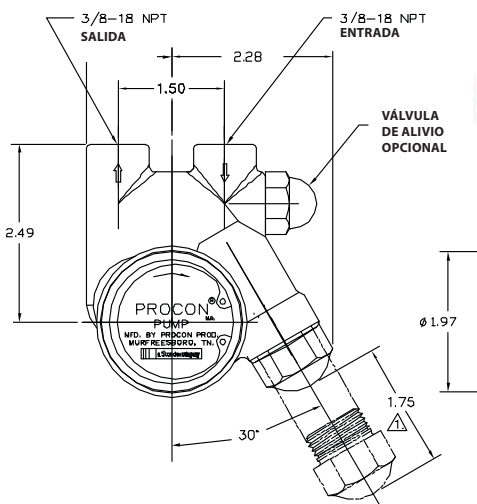
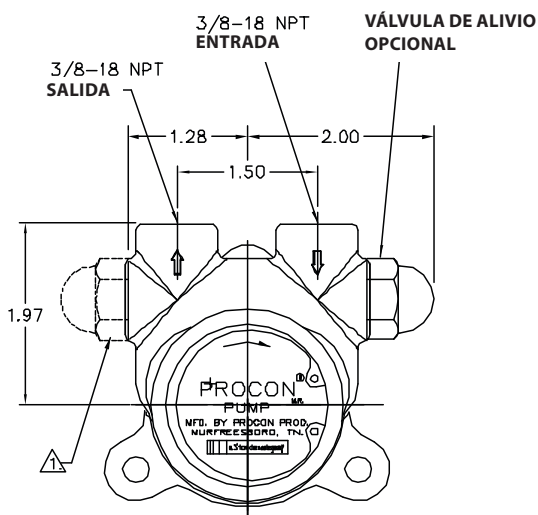
(Adaptador y acoplamiento requeridos para montaje de motor 56C)

ESPECIFICACIONES

Carcasa de bomba	Acero inoxidable 303 o latón
Capacidad	15 a 125 GPH
Velocidad nominal	1725 RPM
Caballos requeridos	¼ a ½
Presión máx. descarga	250 (LPPC/PSI)
Rotación (vista de placa)	Dextrógira
Peso en seco	2,5 libras aprox.
Dimensiones pulgadas	3,56 x 3,49 x 3,86
Autocebantes (agua)	Altura máx. de 6 pies
Tamaño de conexión	3/8 NPT entrada y salida

APLICACIONES TÍPICAS

- Carbonatación
- Máquinas expresso/café
- Soldadura
- Circulación de carbonatación fría
- Osmosis inversa
- Enfriadores de cerveza
- Sistemas para pesticidas
- Aplicaciones solares



PROCON® Products

World Wide Headquarters

869 Seven Oaks Blvd, Ste 120
Smyrna, TN 37167 USA
Phone: +1 615.355.8000
Fax: +1 615.355.8001
mail@proconpump.com

Standex International S.r.l.,

Via 1 Maggio, 20
20064 Gorgonzola (MI) Italy
tel: +39 (02) 95-740951 ext. 213
fax: +39 (02) 95-740713
solari.standex@standexinternational.191.it
solari@standex.com

Standex (Ireland) Limited

Irishstown, Mountmellick, Co. Laois
Republic of Ireland
tel: +353 (5786) 79114
fax: +353 (5786) 79119
sales@standex.ie

Standex International GmbH

Koelner Strasse 352-354
47807 Krefeld Germany
tel: +49 21 51 371226
fax: +49 21 51 371258
m.schmalohr@standex-gmbh.de



www.proconpump.com

"QUALITY PRODUCTS – DELIVERED ON TIME"



SERIES 1, 2 y 3 Volúmen Nominal en 1725 RPM (Véase nota en Series 6)

TASA DE FLUJO (GPH)	GALONES POR HORA (GPH)					FRENO DE POTENCIA				
	LIBRAS POR PULGADA CUADRADA (LPPC)					LIBRAS POR PULGADA CUADRADA (LPPC)				
	50	100	150	200	250	50	100	150	200	250
140	143	141	139	137	135	.17	.28	.40	.52	.63
125	128	126	124	122	120	.16	.26	.36	.47	.57
110	111	109	107	105	103	.15	.25	.34	.44	.54
100	102	100	98	96	94	.13	.20	.28	.35	.42
80	82	80	78	76	74	.12	.18	.25	.32	.39
70	72	70	68	66	64	.11	.17	.24	.30	.37
60	62	60	58	56	54	.10	.16	.23	.29	.35
50	52	50	48	46	44	.09	.15	.21	.27	.33
35	37	35	33	31	29	.08	.14	.19	.24	.29
25	27	25	23	21	19	.07	.12	.17	.22	.27
15	17	15	13	11	-	.06	.10	.15	.19	-

Series 1 - 6 Rotary Vane pumps - Model Number Matrix

1 1 A 100 F 1 1 A A 180

PRODUCT CLASSIFICATION

1 - ROTARY VANE PUMP

AGENCY APPROVALS

0 - NON-FOOD GRADE (1.5% Max. Lead)- NO AGENCY APPROVAL
 1 - NSF STD. 169 LISTED (1.5% Max Lead) - (SEE NOTE 1)
 2 - WRC
 3 - FOOD GRADE - (1.5% Max. Lead) NO AGENCY LISTING
 P - SPARE PARTS KIT
 Z - NON-FOOD GRADE (.20% Max. Lead)- NO AGENCY APPROVAL
 4 - NSF STD. 169 LISTED (.20% Max. Lead) - (SEE NOTE 1)
 Y - NON-FOOD GRADE (.10% Max. Lead)- NO AGENCY APPROVAL
 5 - NSF STD. 169 LISTED (.10% Max. Lead) - (SEE NOTE 1)
 W - 254 SMO (316 S/S) - NO AGENCY APPROVAL

SERIES

1 - SERIES 1 BRASS - INTEGRAL STRAINER
 2 - SERIES 2 BRASS
 3 - SERIES 3 STAINLESS STEEL
 4 - SERIES 4 BRASS
 5 - SERIES 5 STAINLESS STEEL
 6 - SERIES 6 STAINLESS STEEL
 7 - SERIES 7 BRASS MINI PRO
 8 - SERIES 8 STAINLESS STEEL - INTEGRAL STRAINER
 9 - SERIES 9 BRASS SHORT PUMP

MOUNTING AND DRIVE CONFIGURATION

A - CLAMP ON WITH .188" DOUBLE FLAT DRIVE
 B - CLAMP ON WITH 1143 BRONZE COUPLING
 C - CLAMP ON WITH 1143-2 PLASTIC COUPLING
 D - CLAMP ON WITH SLOTTED SHAFT ONLY - NO COUPLING
 E - BOLT ON WITH SINGLE FLAT DRIVE (SERIES 1-5 ONLY)
 J - BOLT ON WITH .25 DOUBLE FLAT DRIVE (SEE NOTE 2)
 K - BOLT ON WITH 3018 BRONZE COUPLING
 L - BOLT ON WITH 3018-1 OVERSIZE BRONZE COUPLING
 M - BOLT ON WITH SLOTTED SHAFT ONLY
 N - BOLT ON WITH KEY SLOT DRIVE (SERIES 6 ONLY)
 P - CLAMP ON WITH 1143-3 OVERSIZE BRONZE COUPLING
 R - LONG CLAMP ON WITH DOUBLE FLAT DRIVE (SEE NOTE 11)
 S - CLAMP ON WITH SINGLE FLAT DRIVE
 T - BOLT ON WITH FAEMA STYLE MOUNT

FLOWRATE (SEE NOTE 10)

SERIES 1, 2 AND 3

015 - 15 GPH	(45 LPH)
025 - 25 GPH	(75 LPH)
035 - 35 GPH	(100 LPH)
050 - 50 GPH	(150 LPH)
060 - 60 GPH	(180 LPH)
070 - 70 GPH	(210 LPH)
080 - 80 GPH	(240 LPH)
100 - 100 GPH	(300 LPH)
110 - 110 GPH (HIGH FLOW)	(330 LPH)
125 - 125 GPH (HIGH FLOW)	(375 LPH)
140 - 140 GPH (HIGH FLOW)	(425 LPH)

SERIES 4 AND 5

115 - 115 GPH	(350 LPH)
140 - 140 GPH	(425 LPH)
165 - 165 GPH	(500 LPH)
190 - 190 GPH	(575 LPH)
215 - 215 GPH	(650 LPH)
240 - 240 GPH	(725 LPH)
265 - 265 GPH	(800 LPH)
330 - 330 GPH (HIGH FLOW) - NO RELIEF VALVE	(1000 LPH)

SERIES 6

300 - 300 GPH - NO RELIEF VALVE	(900 LPH)
360 - 360 GPH - NO RELIEF VALVE	(1080 LPH)
420 - 420 GPH - NO RELIEF VALVE	(1260 LPH)
480 - 480 GPH - NO RELIEF VALVE	(1440 LPH)
540 - 540 GPH - NO RELIEF VALVE	(1620 LPH)
600 - 600 GPH - NO RELIEF VALVE	(1800 LPH)
660 - 660 GPH - NO RELIEF VALVE	(2000 LPH)

PRESSURE SETTING (RELIEF VALVE) (SEE NOTE 5)

PRESSURE SETTING IN PSI (POUNDS PER SQ. IN.)

PRESSURE RANGE (RELIEF VALVE SPRING)

A - 151 TO 250 PSI - DEFAULT SETTING 170 PSI (SEE NOTE 4)
 10 TO 17 BAR - DEFAULT SETTING 14 BAR
 B - 100 TO 150 PSI - DEFAULT SETTING 130 PSI
 7 TO 10 BAR - DEFAULT SETTING 10 BAR
 C - 60 TO 99 PSI - DEFAULT SETTING 99 PSI
 4 TO 7 BAR - DEFAULT SETTING 7 BAR
 D - 30 TO 59 PSI - DEFAULT SETTING 50 PSI (SEE NOTE 6)
 2 TO 4 BAR - DEFAULT SETTING 3.5 BAR
 X - NO SETTING

VALVE TYPE AND CONFIGURATION

A - PLASTIC, HI TEMP-BYPASS
 B - PLASTIC, HI TEMP-SOLID
 C - PLASTIC, HI TEMP BALANCED BYPASS
 D - PLASTIC, HI TEMP BALANCED SOLID
 F - PLASTIC, HI TEMP-EXTERNAL ADJUST BYPASS
 G - PLASTIC, HI TEMP-EXTERNAL ADJUST SOLID
 P - BRASS, HI TEMP-SOLID
 R - STAINLESS STEEL, HI TEMP-SOLID
 1 - PLASTIC, LOW TEMP-BYPASS
 2 - PLASTIC, LOW TEMP-SOLID
 3 - PLASTIC, LOW TEMP BALANCED BYPASS
 4 - PLASTIC, LOW TEMP BALANCED SOLID
 5 - PLASTIC, LOW TEMP-EXTERNAL ADJUST BYPASS
 6 - PLASTIC, LOW TEMP-EXTERNAL ADJUST SOLID
 X - NO RELIEF VALVE

CLEARANCES

1 - STANDARD CLEARANCE
 2 - SPCL CLEARANCE (1x) LINER & BRGS
 3 - SPECIAL CLEARANCE (2x) LINER & (1x) BRGS.
 4 - STANDARD CLEARANCE WITH SEAL CIRCULATION
 5 - SPCL CLEARANCE (1x) LINER AND (1x) SEAL CIRC. BRGS.
 6 - SPCL CLEARANCE (1x) LINER AND (2x) SEAL CIRC. BRGS.

ROTATION / SLINGER / PASSIVATION / STRAINER

1 - CLOCKWISE
 2 - COUNTERCLOCKWISE
 3 - CLOCKWISE / SLINGER
 4 - COUNTERCLOCKWISE / SLINGER
 7 - CLOCKWISE / COARSE STRAINER
 8 - CLOCKWISE / SLINGER / COARSE STRAINER

ELASTOMER

F - FDA GRADE NITRILE - TYPE 21 OR TYPE 2106
 USED INTERCHANGEABLY
 G - ETHYLENE PROPYLENE - TYPE 21 SEAL (SEE NOTE 8)
 R - FLUOROCARBON - TYPE 21 SEAL
 S - NEOPRENE - TYPE 21 SEAL (SEE NOTE 9)
 W - ETHYLENE PROPYLENE - TYPE 21 SEAL -
 WRC APPROVED COMPOUND

NOTES:

- Brass pumps are NSF listed for potable water only. Stainless steel pumps are NSF listed for potable and carbonated water. (Nitrile elastomer only)
- Bolt on model with .25" double flat drive for use in Japan only. (No NSF available.)
- Counterclockwise rotation not available for Series 1 pumps.
- For the Beverage Industry - the default relief valve pressure setting is 250 PSI.
- The relief valve pressure setting is not part of the model matrix number. It is for customer reference only.
- This pressure range is not available in valve configurations C, D, K or L.
- Passivation is defined as a passivated housing only. No other parts are passivated.
- The EP elastomer is no longer available for Series 6 pumps.
- Neoprene elastomer not available for the following relief valve configurations: C, D, F, 3, 4, 5, and 6.
- GPH rating at 60HZ (1750 RPM) - LPH rating at 50HZ (1400 RPM).
- Long clamp on pumps are series 1 and 4 only

Dwg #2033 Rev EE MEA 9-1-09